
CERTI-SEAL 2 Pair Aerial Closure

The CERTI-SEAL cold applied joint closure is designed for the protection of joints or cable sheath damage in two pair customer aerial drop leads. CERTI-SEAL is quick to install, easy to use and requires no special tools. CERTI-SEAL prevents water ingress by using non-flowing gel under pressure. The closure provides easy and clean re-entry with no additional parts or cost.

Part Number
0-1116542-1

Description
CERTI-SEAL 2PR AERIAL CLOSURE



Installation Instruction

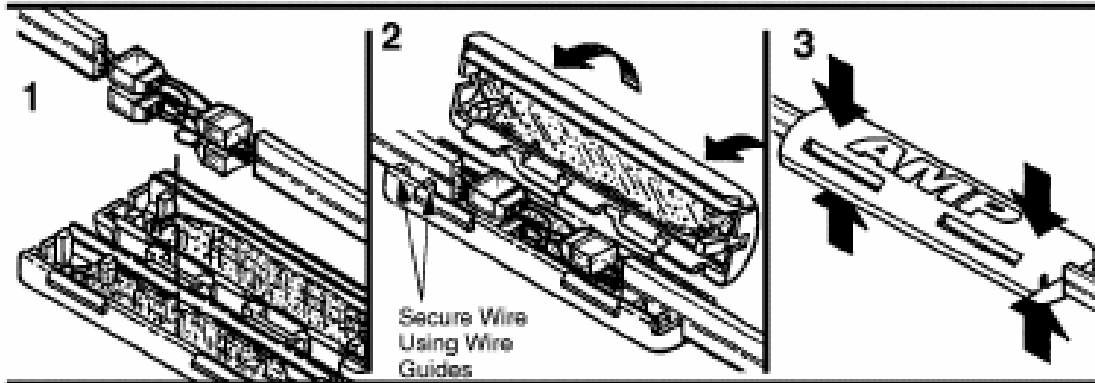
Instruction Sheet

408-4545

18 MAR 99 Rev O

AMP

CERTI-SEAL® 2-Pair Aerial Drop Wire Closure 1116542-1
(for Tel-Splice Connectors)



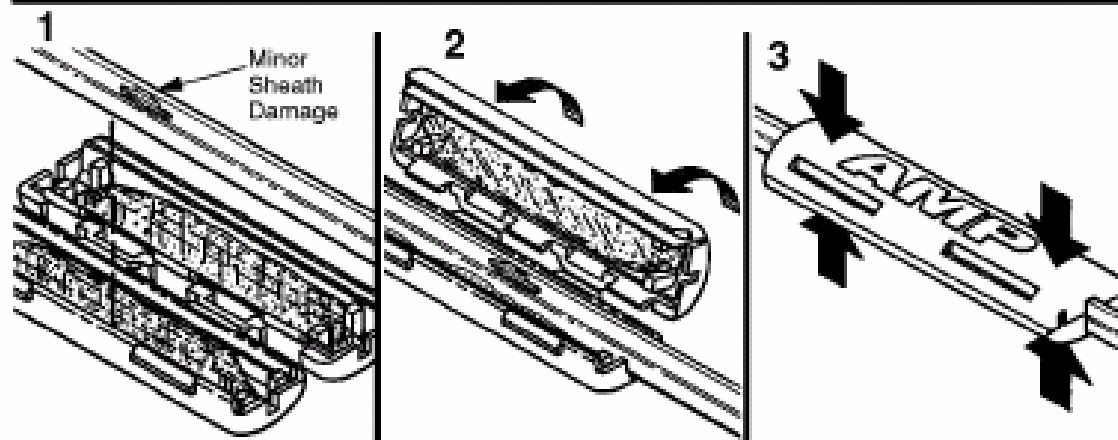
AMP Incorporated, Harrisburg, PA 17105 TOOLING ASSISTANCE CENTER 1-800-323-1111 AMP FAX PRODUCT INFO 1-800-323-6152
This AMP controlled document is subject to change. For latest revision call the AMP FAX number.
© Copyright 1999 by AMP Incorporated. All Rights Reserved.
Trademark

1 of 2

AMP

CERTI-SEAL Sheath Repair Closure 1116542-1 (For Repair of Minor Sheath Damage of 2-Pair Aerial Wire)

408-4545



2 of 2

REVISION SUMMARY: Initial release, per EC 0990-0223-99

Rev O